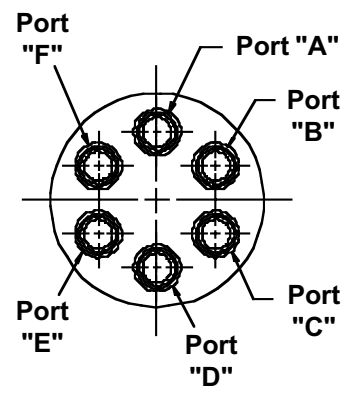
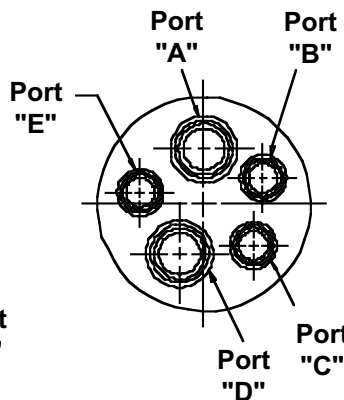
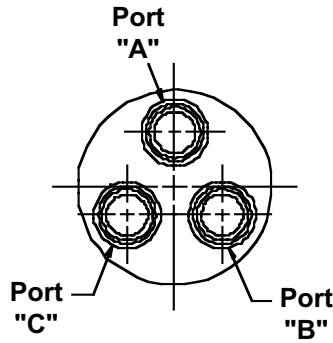
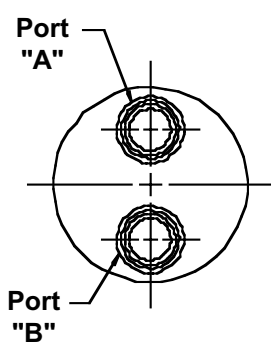
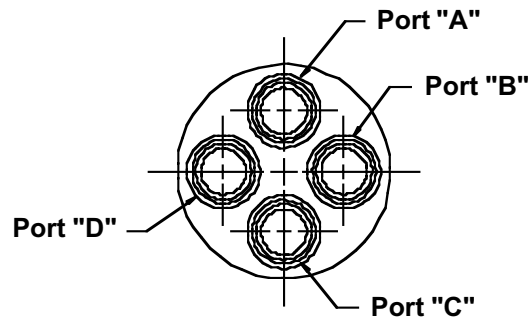
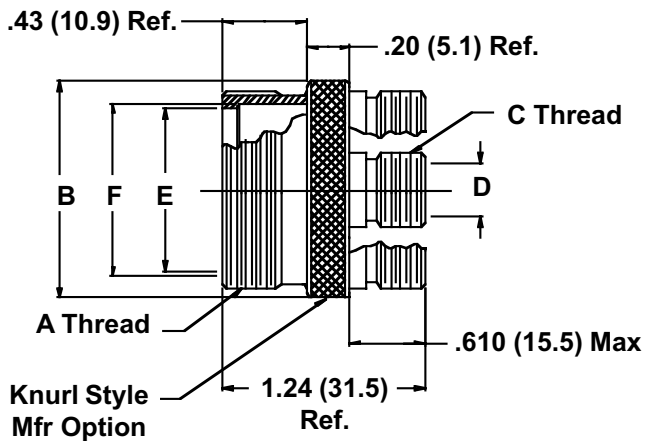
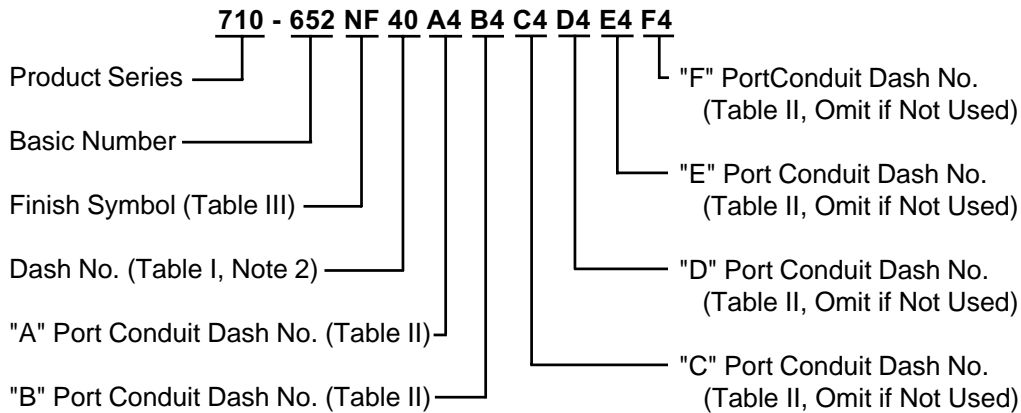




# 710-652 Multi-Port Special Purpose Transitions for Series 72 & 74 Tubing and Series 75 Conduit



**710-652**  
**Multi-Port Special Purpose Transitions**  
**for Series 72 & 74 Tubing and Series 75 Conduit**



Dash No.	A Thread Class 2A	B		E		F	
		Max		±.005	(.1)	±.005	(.1)
20	1 1/4 - 18 UNEF	1.41	(35.8)	.980	(24.9)	1.095	(27.8)
21	1 5/16 - 18 UNEF	1.47	(37.3)	1.040	(26.4)	1.157	(29.4)
22	1 3/8 - 18 UNEF	1.53	(38.9)	1.100	(27.9)	1.220	(31.0)
23	1 7/16 - 18 UNEF	1.59	(40.4)	1.160	(29.5)	1.280	(32.5)
24	1 1/2 - 18 UNEF	1.66	(42.2)	1.220	(31.0)	1.345	(34.2)
26	1 5/8 - 18 UNEF	1.78	(45.2)	1.350	(34.3)	1.470	(37.3)
28	1 3/4 - 18 UNS	1.91	(48.5)	1.480	(37.6)	1.595	(40.5)
30	1 7/8 - 18 UNS	2.03	(51.6)	1.590	(40.4)	1.720	(43.7)
31	1 15/16 - 16 UN	2.09	(53.1)	1.660	(42.2)	1.770	(45.0)
32	2 - 18 UN	2.16	(54.9)	1.730	(43.9)	1.845	(46.9)
33	2 1/16 - 16 UNS	2.22	(56.4)	1.780	(45.2)	1.900	(48.3)
34	2 1/8 - 16 UN	2.28	(57.9)	1.840	(46.7)	1.960	(49.8)
35	2 3/16 - 16 UNS	2.34	(59.4)	1.900	(48.3)	2.020	(51.3)
36	2 1/4 - 16 UN	2.41	(61.2)	1.970	(50.0)	2.085	(53.0)
37	2 5/16 - 16 UNS	2.47	(62.7)	2.030	(51.6)	2.145	(54.5)
38	2 3/8 - 16 UN	2.53	(64.3)	2.090	(53.1)	2.210	(56.1)
40	2 1/2 - 16 UN	2.66	(67.6)	2.220	(56.4)	2.335	(59.3)
42	2 5/8 - 16 UN	2.78	(70.6)	2.340	(59.4)	2.460	(62.5)
58	3 5/8 - 16 UN	3.78	(96.0)	3.340	(84.8)	3.460	(87.9)
60	3 3/4 - 16 UN	3.91	(99.3)	3.468	(88.1)	3.590	(91.2)

Port Conduit Dash No.	Conduit Code Ref.	A Thread Class 2A	D	
			±.005	(.1)
1	06	7/16 - 28 UNEF	.187	(4.7)
2	08	1/2 - 20 UNEF	.250	(6.4)
3	09	9/16 - 24 UNEF	.281	(7.1)
4	10	9/16 - 24 UNEF	.312	(7.9)
5	12	5/8 - 24 UNEF	.375	(9.5)
6	14	11/16 - 24 UNEF	.437	(11.1)
7	16	3/4 - 20 UNEF	.500	(12.7)
8	20	7/8 - 20 UNEF	.625	(15.9)
9	24	1 - 20 UNEF	.750	(19.1)
10	28	1 3/16 - 18 UNEF	.875	(22.2)
11	32	1 5/16 - 18 UNEF	1.000	(25.4)
12	40	1 1/2 - 18 UNEF	1.250	(31.8)

SYMBOL	FINISH
B	Olive Drab over Cadmium Plate
J	Gold Iridite over Cadmium Plate over Nickel
M	Electroless Nickel
N	Olive Drab over Cadmium Plate over Nickel
NC	Zinc-Cobalt, Olive Drab
NF	Olive Drab over Cadmium Plate over Electroless Nickel (500 Hour Salt Spray)
T	Bright Dip Cadmium Plate over Nickel
Z1	Passivate

**Notes:**

1. Metric dimensions (mm) are in parentheses.
2. Plate diameter "B" is based on outlet combinations, utilizing Type "T" Designator (page 00 and 00) fittings. Consult factory for available combinations.